



What: Flooring Abatement

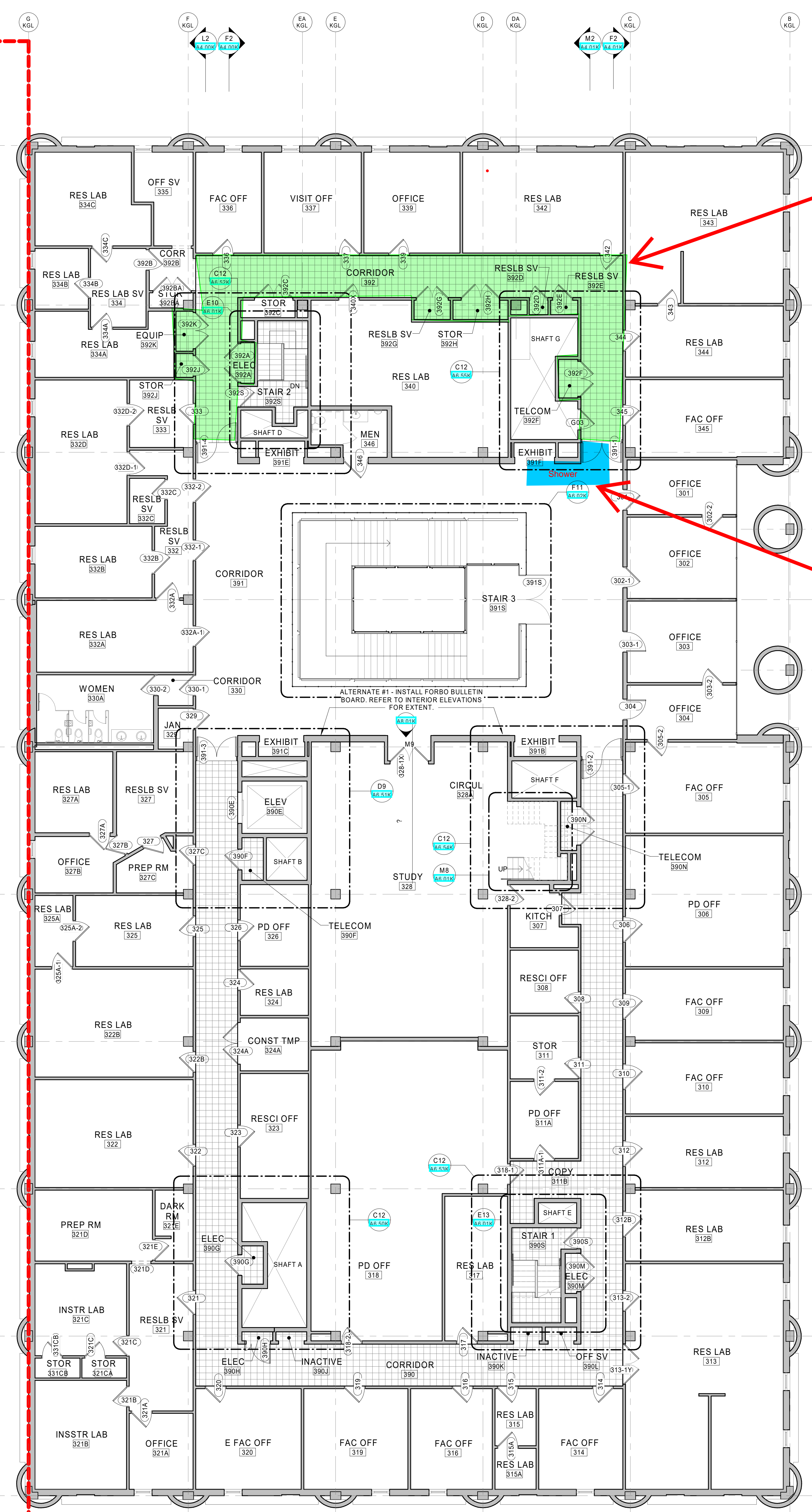
Where: Corridor 392

Start Date: 12/7/2020

Impact: Limited user access during ceiling removal (see shaded areas)

Contacts:

- Vic Hoyecki – Project Superintendent – (203)943-2950
- Pam Buonocore – KGL Operations Manager – (203)915-4651
- Mark Veroneau – Yale Associate Project Manager – (475)241-2476

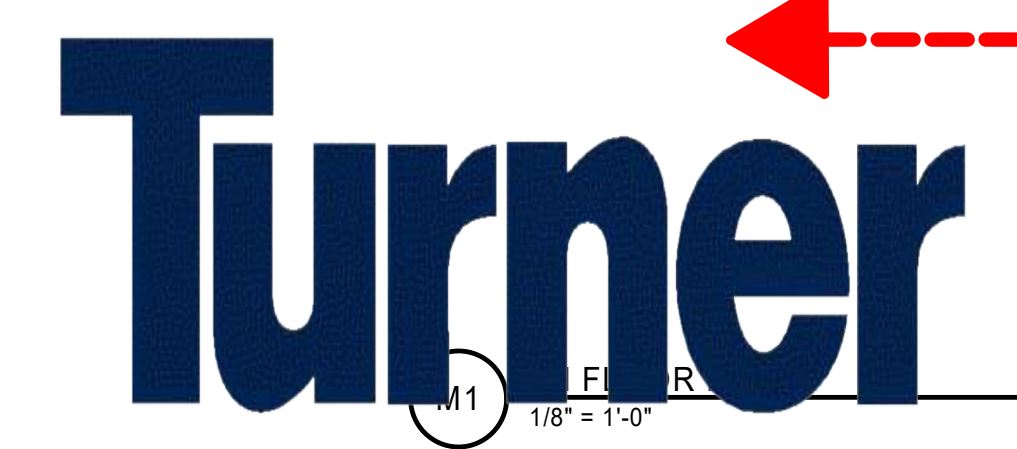
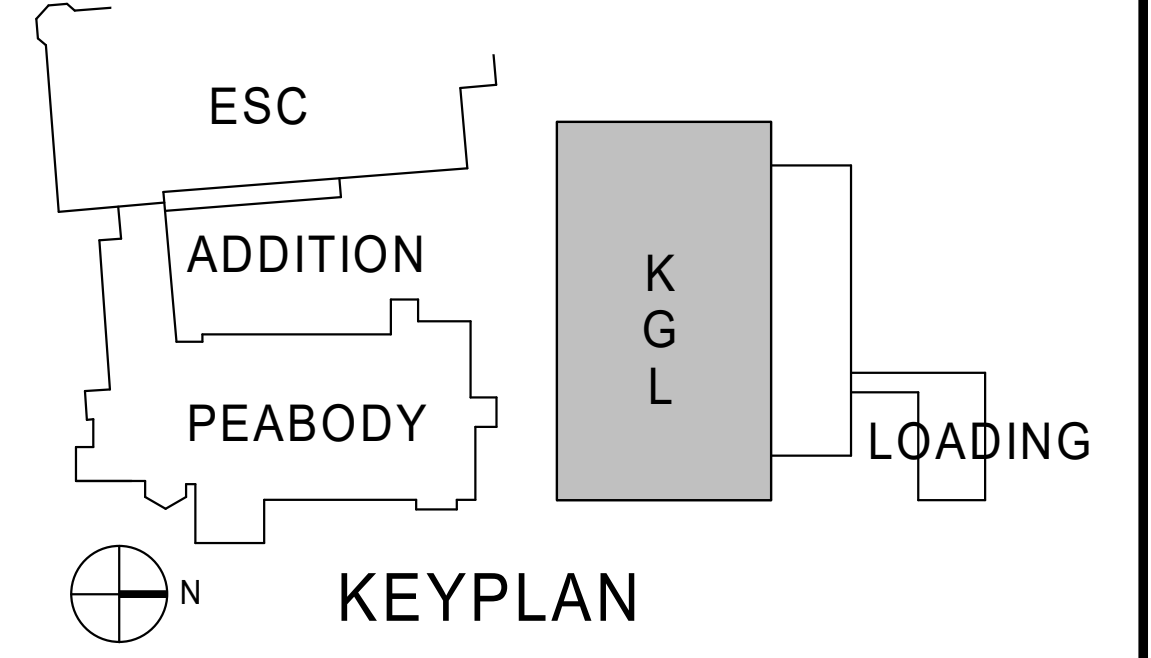


Containment

No access start date 12/7/20
 Completion date 12/11/20

Shower

KGL 3rd Floor Corridor 392 Abatement Work
Yale Kline Geology Laboratory Code Upgrades Project
New Haven, CT
Turner Project No. 201026
Data Date: November 19, 2020
By: VJH



C:\p1\17081006\17081006_A1.30K.dwg, 6/11/2020 8:42:59 AM